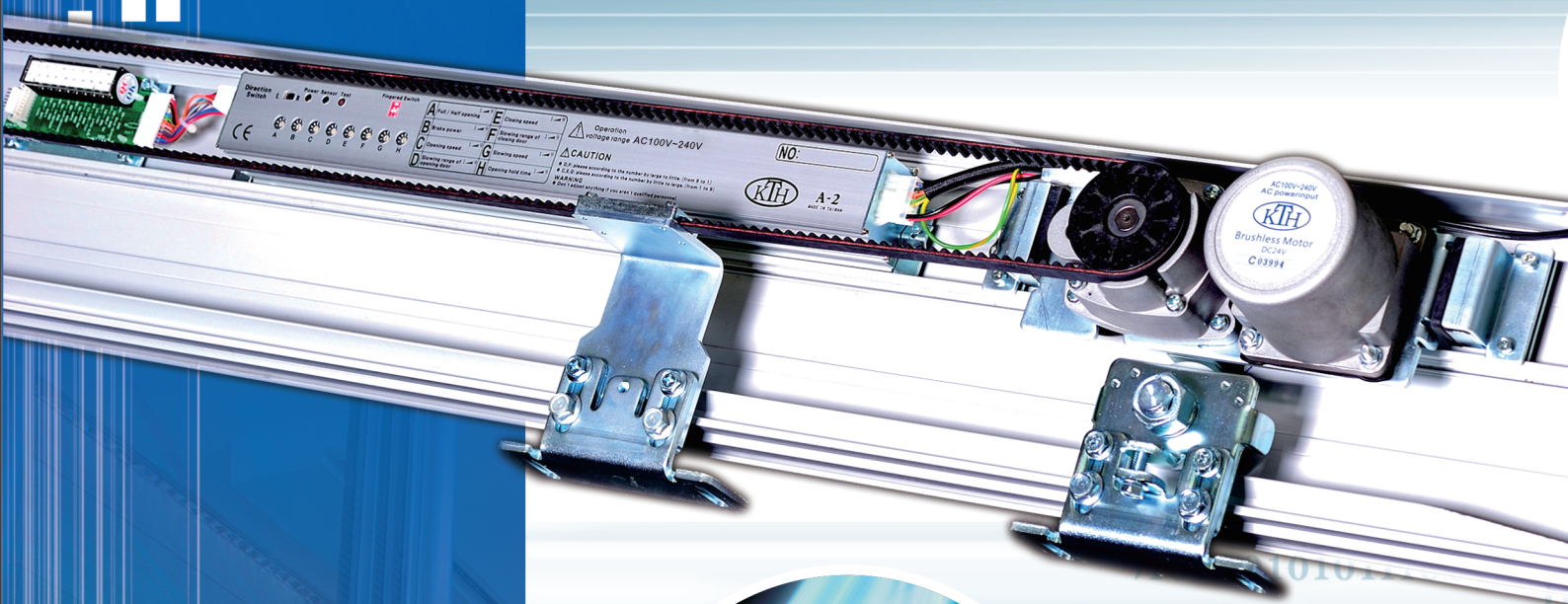




A-2 AIRTIGHT DOOR



★ Stable and durable
★ Quiet and smooth



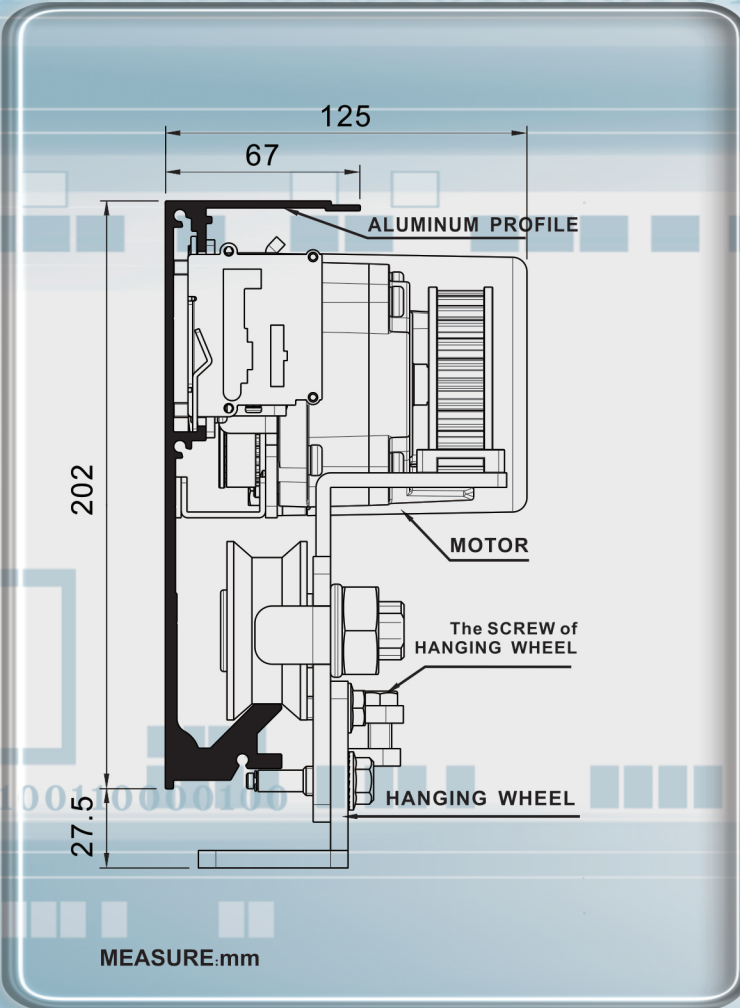
★ 120W Brushless DC motor



★ Intelligence operator provides 8 functions of door's motions.



★ Within this design, it can make door downward and toward inside to create "AIRTIGHT" function.



AIRTIGHT DOORS/SINGLE-WINGED

FEATURES

- Applied for hospital ,cleaning room.
- Efficiently avoid outer air to get in or temperature affection.
- Smooth operating and running frequently is unobstructed due to use Deft Volume&high efficient Brushless DC Motor.
- Closed door is alright, through "V" mold and "Arc" mold of fillister of Aluminum Profile to make door download and toward inside when closing.

TYPE	A-2
MODEL	STANDNARD: SINGLE-WINGED
DOOR WEIGHT	200kg X1(door)
DOOR WIDTH	DW=500mm~3000mm
INSTALL WAY	Surface install
MOTOR	DC24V 120W BRUSHLESS DC MOTOR
CONTROL	STANDARD MICRO-CONTROLLER
POWER CONSUMPTION	120w
VOLTAGE	AC100V~240V
ENVIRONMENTAL TEMPERATURE	-20°C~+50°C
VOLUME	60 decibel(max.)
STARTING SPEED	480mm /(second)
STARTING TIMES	0~20 sec. (regulable)
TRANSMISSION IMPORTANT CONDITION	RACK BELT S8M
OPEN DOOR RANGE	FULL/HALF-OPEN (regulable)
PFC POWER EFFICIENCY	0.95(AC100V/in AC100V Full load)
TRACTION FORCE	3.5 kg