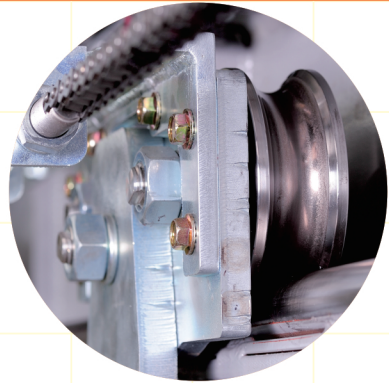
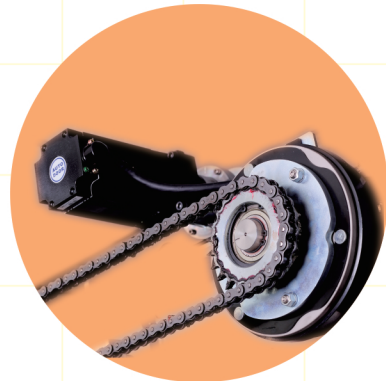


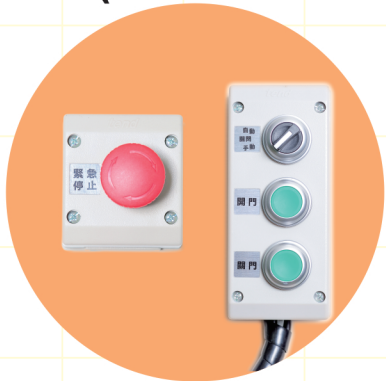
# KTH S-160 SUPER HEAVY DOOR



**DURABLE HANGING TWIN WHEEL**



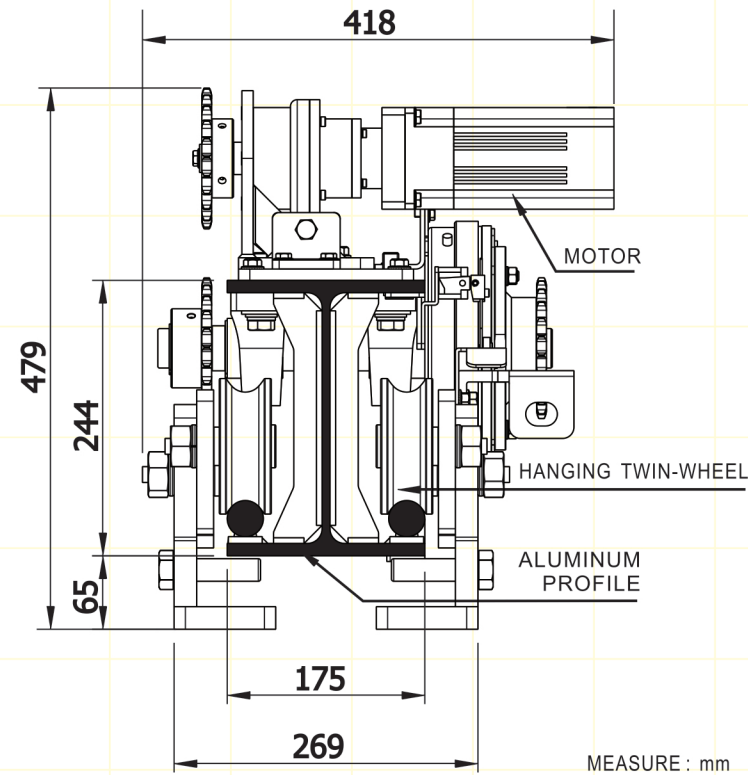
**DC320V 370W BRUSHLESS DC MOTOR(PLANETARY GEAR)**



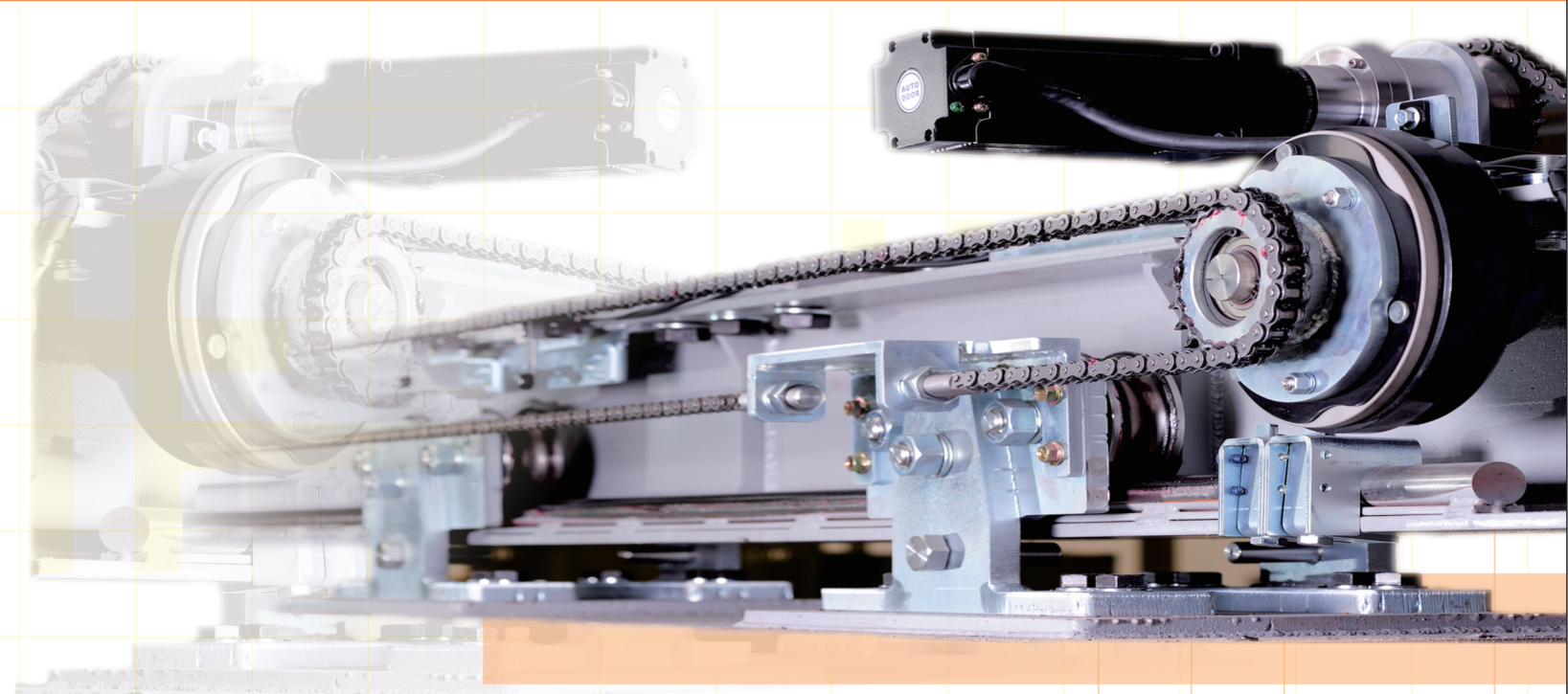
**CONTROL SYSTEM**



**CONTROL SYSTEM**

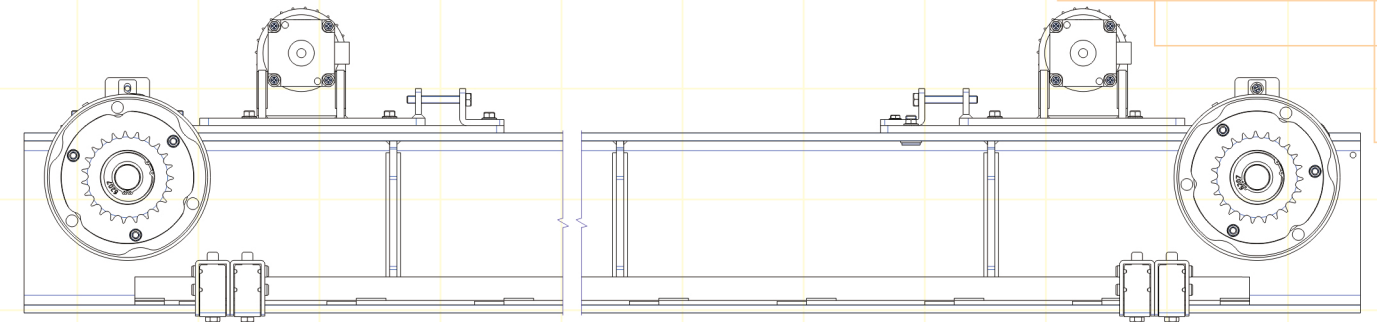


TYPE	S- 160/S-161	
MODEL	SINGLE-WINGED	BI-PARTING
DOOR WEIGHT	10000kg X1(DOOR)	8000kg X2(DOOR)
DOOR WIDTH	DW=1M~6M	DW=1M~12M
PROFILE TYPE	("H" TYPE STEEL / DOUBLE TRACK )	
MOTOR	DC320V BRUSHLESS DC MOTOR (PLANETARY GEAR)	
TRANSMISSION DEVICE	ELECTROMAGNETIC BEARING - MOUNTED CLUTCH	
CONTROL	STANDARD MICRO-CONTROLLER	
POWER CONSUMPTION	370W	
VOLTAGE	AC 220V	
ENVIRONMENTAL TEMPERATURE	-20°C~+50°C	
VOLUME	65 decibel(max.)	
STARTING SPEED	200mm/second	200mm X2/second
STARTING TIMES	0~20 sec. (regulable)	
TRANSMISSION IMPORTANT CONDITION	ROLLER CHAIN 50-1R	
OPENING DOOR RANGE	FULL/HALF-OPEN (regulable)	
PFC POWER EFFICIENCY	0.95(in AC100V Full load)	
MATERIAL OF HANGER	Stainless 304	
BEARING	Roller Bearing	
SECOND SYSTEM	NONE/INCLUDING	



**SPARE SYSTEM**

**MAIN SYSTEM**



## Our Operator's Features

- ★ Install in the big factories, airports, hospitals of radiation prevention door and many other large doors applications.
- ★ Second System - Equipped with the spare motor and control box to support when the main system is faulty.
- ★ Safety Function - Push "Emergency stop switch, " Door will stop immediately at any position.
- ★ Hanging Twin Wheel installs in two sides of the door panel, can balance the heavy Door weight well.