

Automatic Door Systems

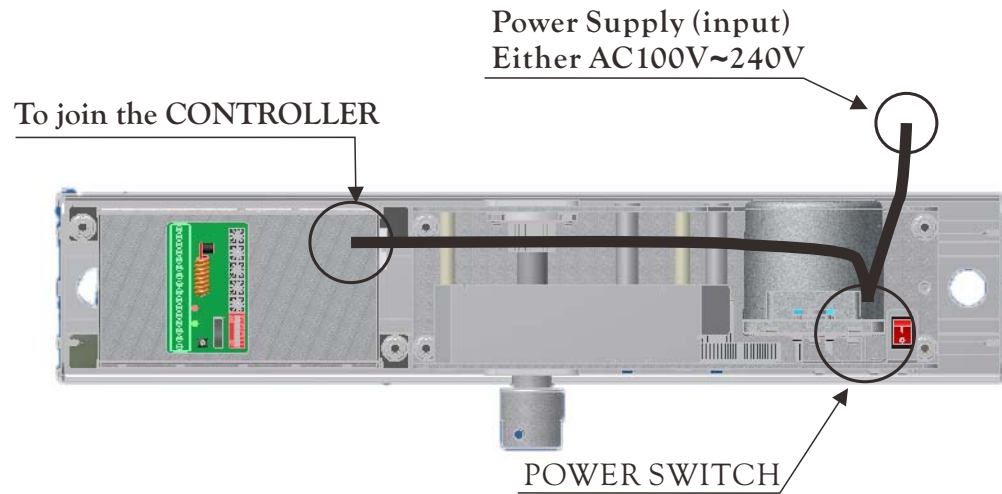


SW-2

Swing Door

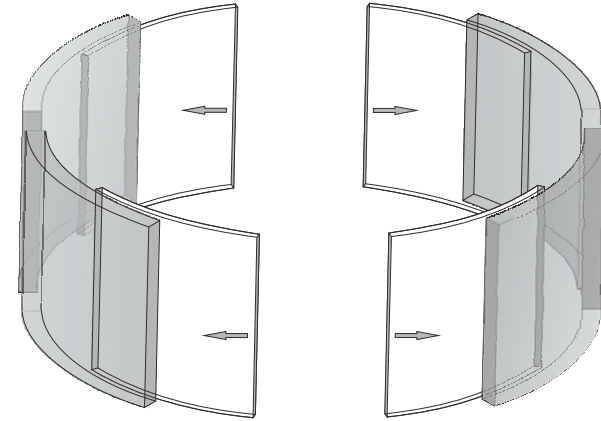
<http://www.khtw.com>
e-mail: kth@khtw.com

OPERATION INSTRUCTION



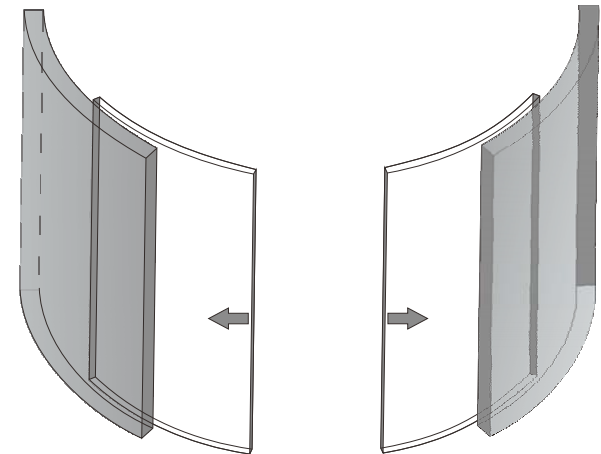
Our company has the following series of automatic door, please contact with our distributors/representations.

Round type door



Installation: Please in accordance with the instruction of Round Type Door.

Curved Type Door



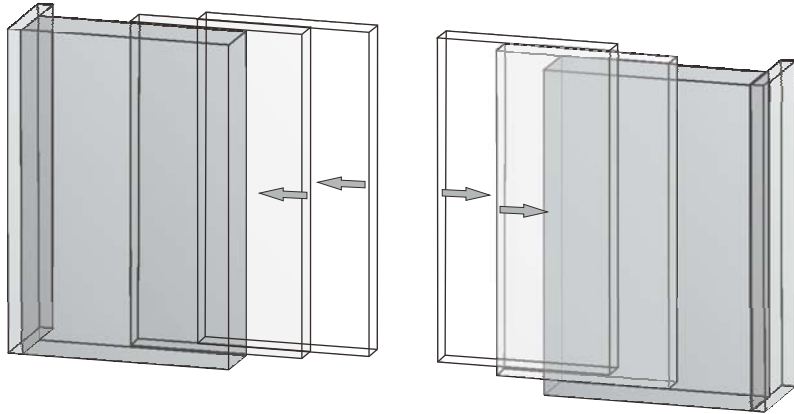
Installation: Please in accordance with the instruction of Curved Type Door.



Warning

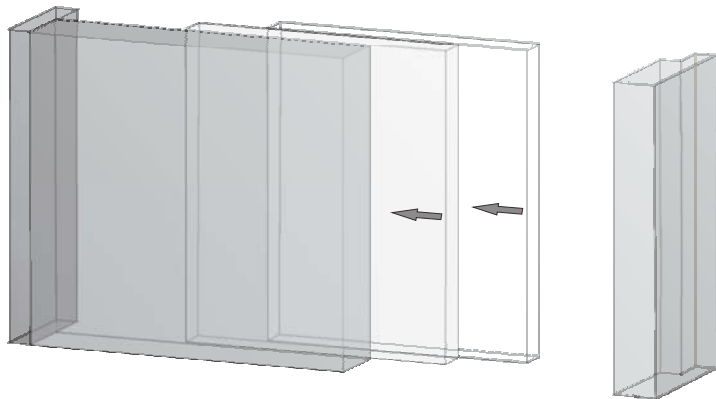
Please confirm WHETHER the SENSOR VOLTAGE is the same as the power supply. If different between them, need to add the TRANSFORMER, otherwise the SENSOR would be burned.

Telescopic 4-winged Sliding Doors.



Installation: Please in accordance with the instruction of Telescopic 4-winged Sliding Doors.

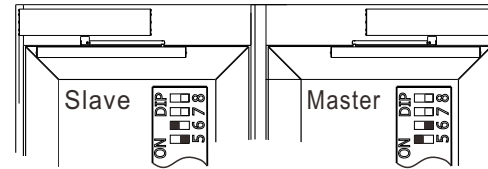
Telescopic 2-winged Sliding Doors.



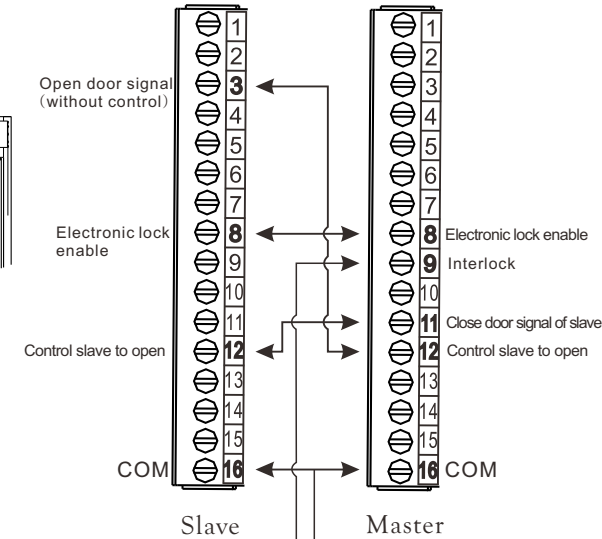
Installation: Please in accordance with the instruction of Telescopic 2-winged Sliding Doors.

Double Doors with Interlock, Electronic lock, Master/Slave Function

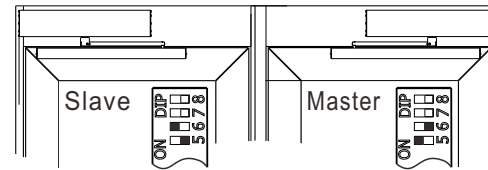
1st of Double Door



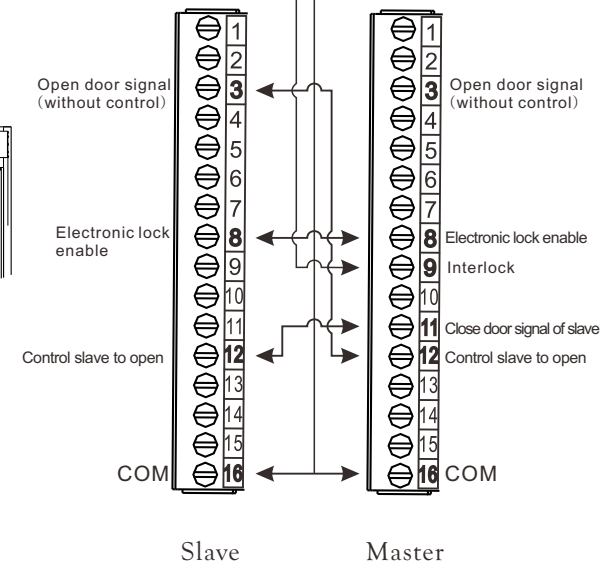
Please set the door which closes first to master(5 on, 6 off) then set the second to close to slave(5 off, 6 on).



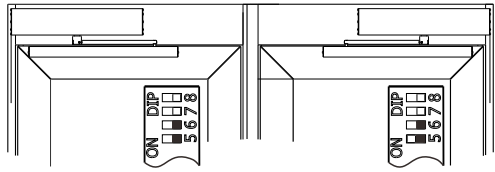
2nd of Double Door



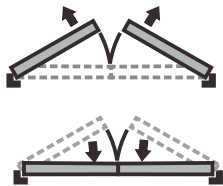
Please set the door which closes first to master(5 on, 6 off) then set the second to close to slave(5 off, 6 on).



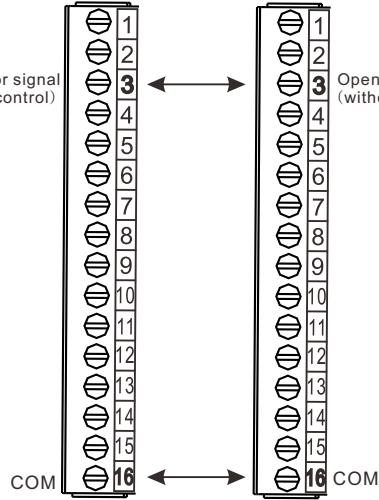
Double Door (I)



Please set all door (5 Off, 6 Off).

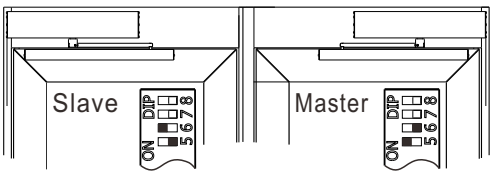


Open door signal (without control)



Open door signal (without control)

Double Door (II) With Electronic Lock and Master/Slave Function

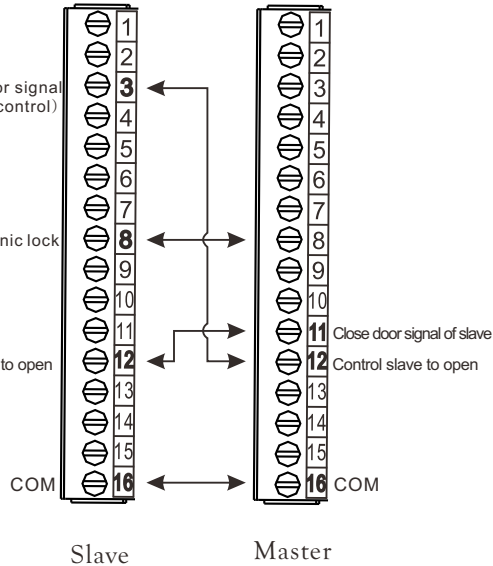


Please set the door which closes first to master(5 on, 6 off) then set the second to close to slave(5 off, 6 on).

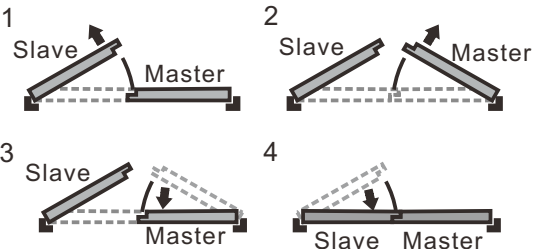
Open door signal (without control)

Electronic lock enable

Control slave to open

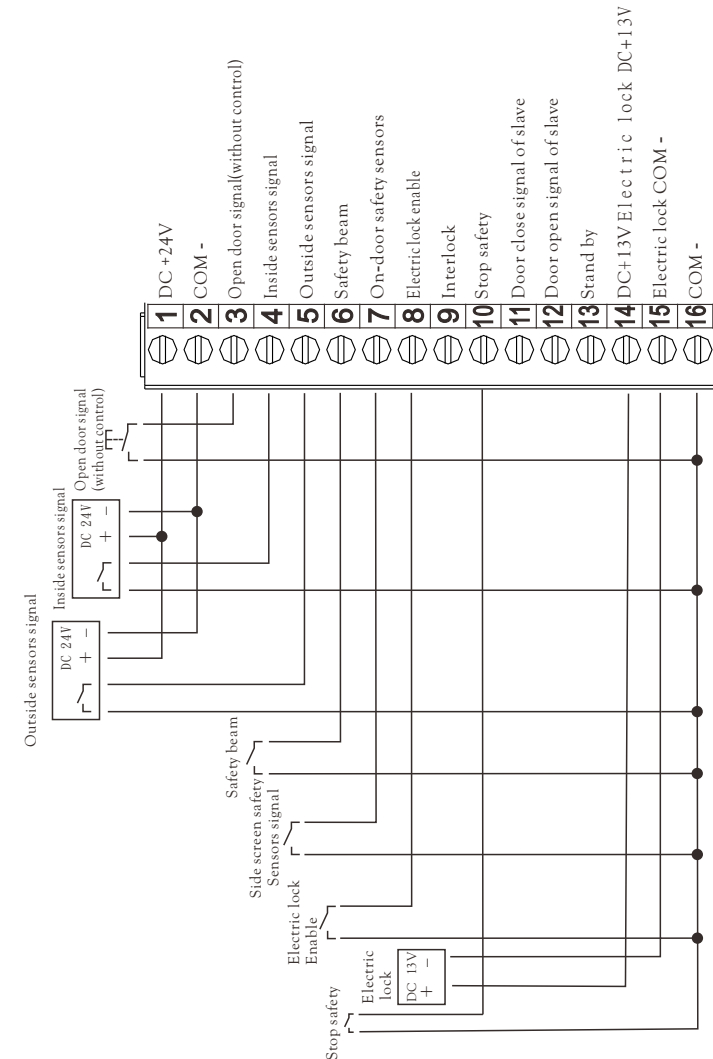


Close door signal of slave
Control slave to open




- 1. TECHNICAL SPECIFICATION.....P1
- 2. DESCRIPTION OF OPERATOR.....P2
- 3. OPERATOR (SECTION).....P3
- 4. DISTANCE SETTING.....P4
- 5. (OUTWARD OPENING)PUSH ARM ASSEMBLY MOUNTING.... P5
- 6. (OUTWARD OPENING)PUSH ARM ASSEMBLY ILLUSTRATION..... P6
- 7. (INWARD OPENING)PULL ARM ASSEMBLY MOUNTING P7
- 8. (INWARD OPENING)PULL ARM ASSEMBLY ILLUSTRATION..... P8
- 9. ADJUST BOARD INSTRUCTION.....P9
- 10. CONNECTION TO TERMINAL BLOCK..... P10
- 11. DOUBLE DOOR AND MASTER/SLAVE FUNCTION... P11
- 12. INTERLOCK, ELECTRONIC LOCK, MASTER/SLAVE FUNCTION P12
- 13. CONNECTION.....P.13

MODEL	SW-2	
TYPE	Outward	Inward
DOOR WEIGHT & WIDTH	<div style="display: flex; align-items: center;"> <div style="margin-right: 20px;"> <p>Max. ●</p> <p>Min. ●</p> </div> </div>	
MOTOR	DC24V 120W BRUSHLESS DC MOTOR	
CONTROL	USER-FRIENDLY MICRO-CONTROLLER	
POWER CONSUMPTION	120W	
VOTAGE	AC100V~240V	
ENVIRONMENTAL TEMPERATURE	-20°C~+50°C	
VOLUME	55 decibel(max.)	
SPEED OF OPENING 90 DEGREE	0.2~0.5 sec. (Max)	
STARTING TIME	0~20 sec. (Regulable)	
TRANSMISSION IMPORTANT CONDITION	Outward Arm assembly	Inward Arm assembly
OPENING DOOR RANGE	120 Max./90 (default)	
PFC POWER EFFICIENCY	0.95 (In full load)	
TRACTION FORCE	2.5 kg	

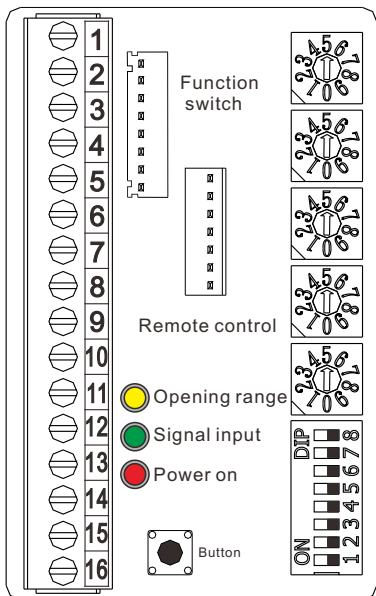


When connect to electronic lock, the reverse switch will be connected too:
after power resumes, the Door-leaf closes the door first.

Yellow  Setting door opening range:
When light on you can set the door range.

Green  Signal input

Red  Power on



Opening speed

Closing speed

Slow speed

Opening hold time

Wind-proof strength

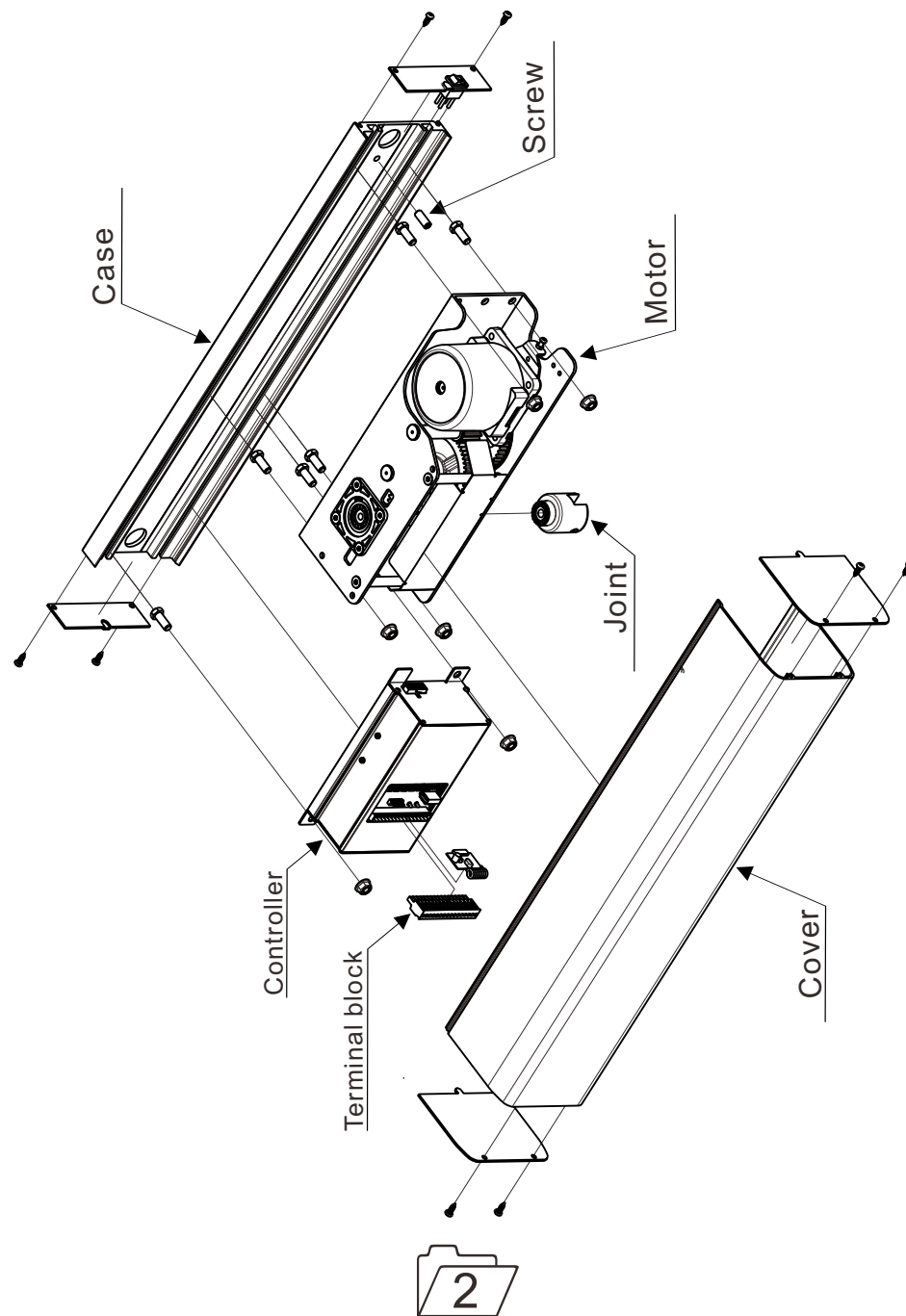
Fingered switch functions			
8	OFF	Opening range (Max. 120)	
	ON	Opening range	
7	OFF	Fail-safe (lock, NC.)	
	ON	Fail-secure (lock, NO.) ^①	
6	OFF	Set to slave-OFF	
	ON	Set to slave-ON	
5	OFF	Set to Master- OFF	
	ON	Set to Master- ON	
4	OFF	Directional Function- OFF	
	ON	Directional Function- ON	
3	OFF	Brake power-Large	
	ON	Brake power-Little	
2	OFF	Brake power -ON (over 50 KG.)	
	ON	Brake power -OFF (under 50 KG.)	
1	OFF	Opening direction-Left	
	ON	Opening direction-Right	

(Fingered switch functions)

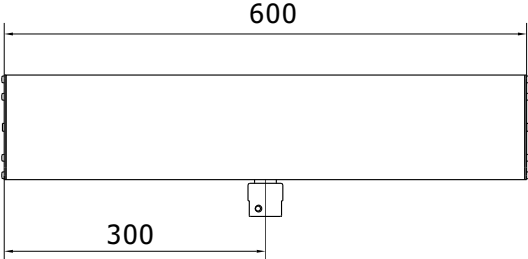


*** ATTENTION:**
When only use 1unit operator,
the pin 5 and pin 6 must set to off state.

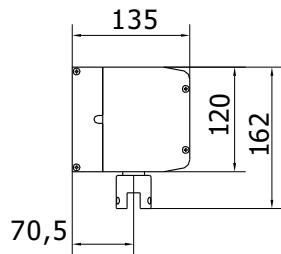
Note: ① Power to unlock (only continue 5 seconds)



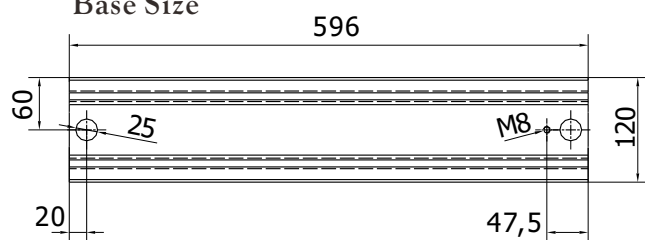
Front View



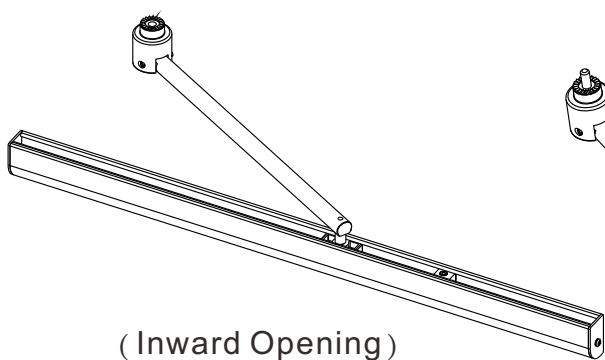
Side View



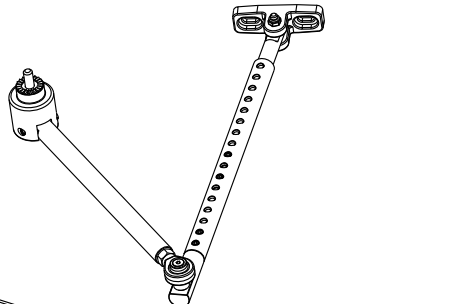
Base Size



Every set of operator can use the Inward / Outward Arm assembly.



(Inward Opening)
Pull Arm assembly



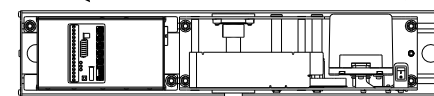
(Outward Opening)
Push Arm assembly



Operator

Controller

Motor



Joint



Motor has to be mounted the right side of the controller, no matter it's Outward/Inward/ Left Open/Right Open.

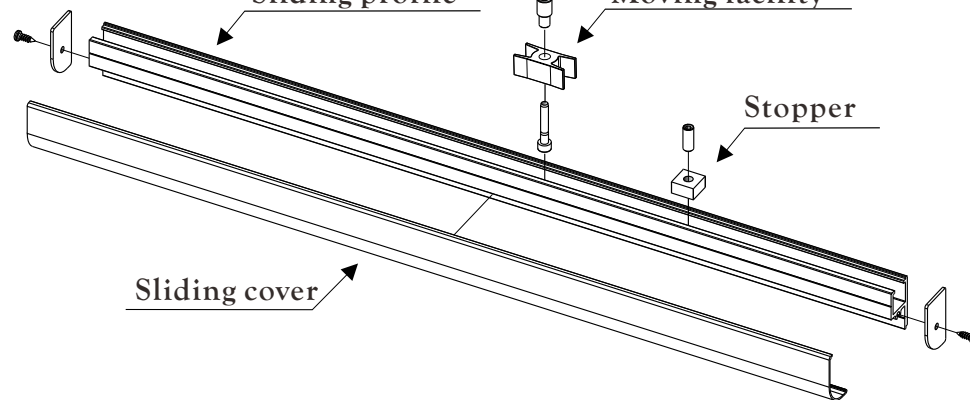
Inward Opening Pull Arm assembly

Sliding profile

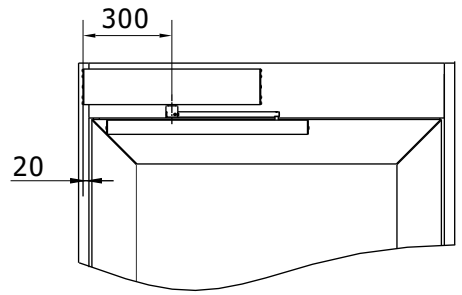
Moving facility

Stopper

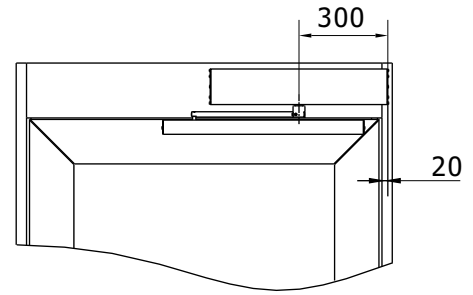
Sliding cover



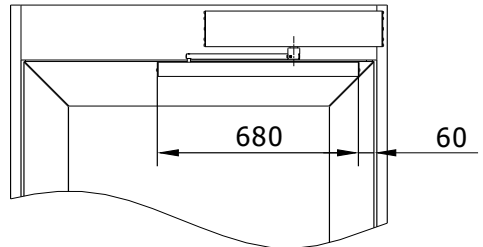
Left Open



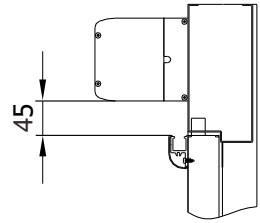
Right Open



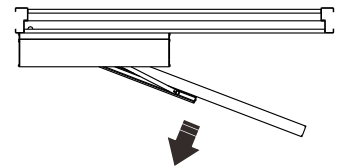
The position of mounting



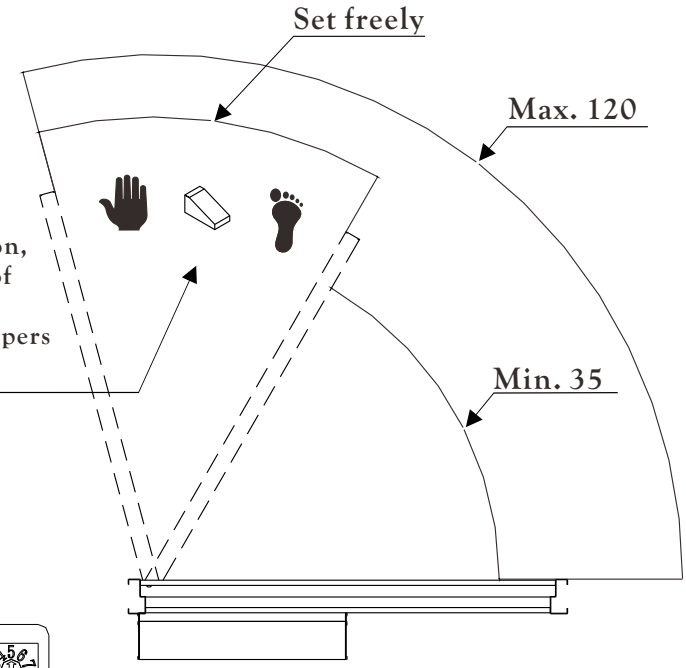
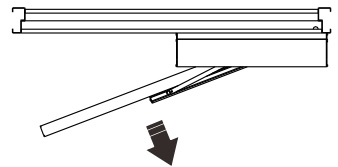
Mounting (Side View)



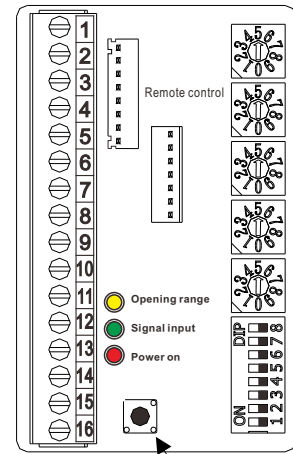
Mounting (eg. for Left Open, Top View)



Mounting (eg. for Right Open, Top View)



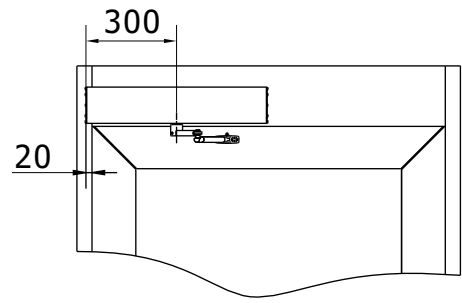
When the yellow light on, please set the distance of opening range. (By hands, feet or stoppers when door opening.)



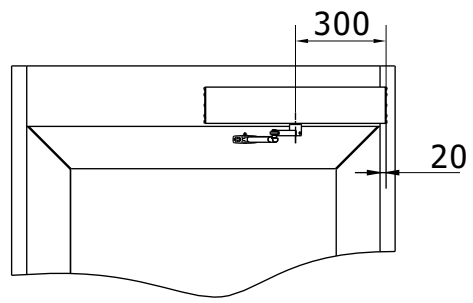
Yellow Opening Distance Setting:
When power on, press the button in 15 sec. And make sure the yellow light on then can set door opening range. P.S. The max. Of the opening range is 120

When power on, press the button in 15 sec. To enter the setting mode.

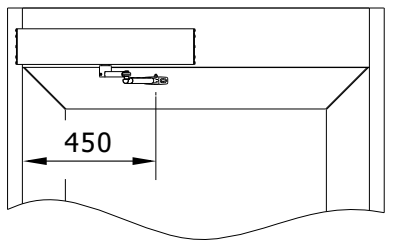
Left Open



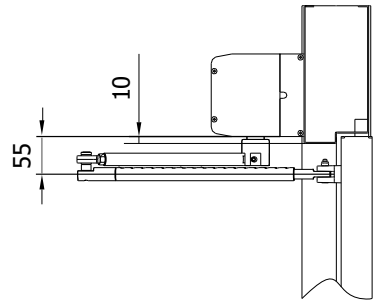
Right Open



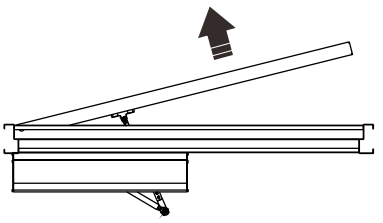
The position of mounting



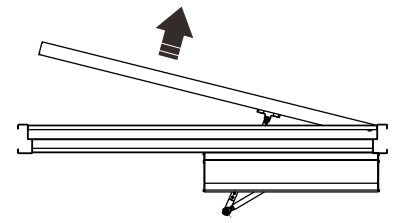
Mounting (Side View)



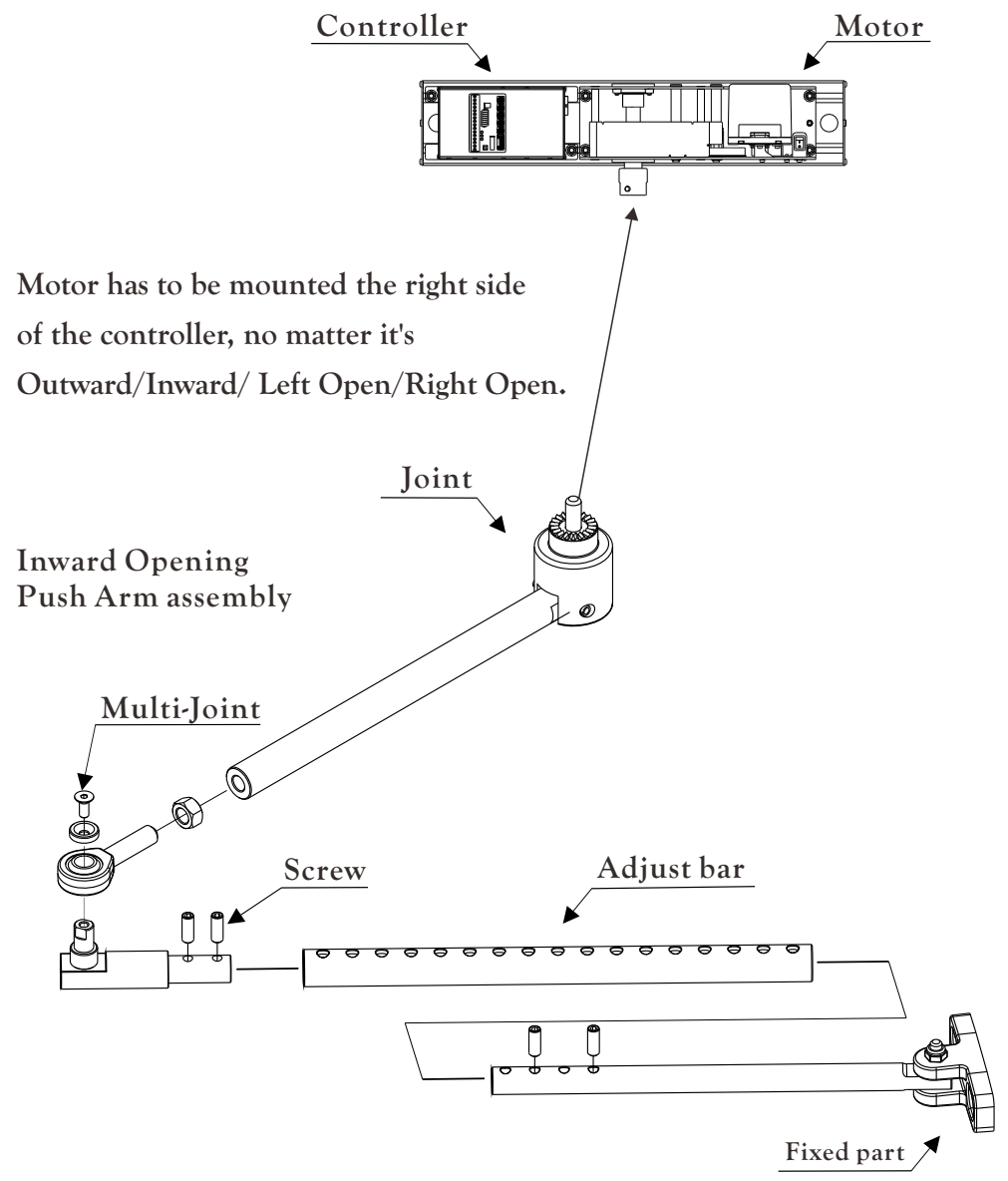
Mounting (eg.for left Open, Top View)



Mounting (eg.for Right Open, Top View)



Operator



Motor has to be mounted the right side of the controller, no matter it's Outward/Inward/ Left Open/Right Open.